



TRANSPORTATION SYSTEM

www.hopetrol.com

CONTENT

TANK TRUCK SPARE PARTS	1
PETROLEUM MANHOLE	2
VAPOR VENT	3
PRESSURE VACUUM VENT	3
4"EMERGENCY BOTTOM VALVE	4
API ADAPTOR	5
DUST SEAL CAP	6
GRAVITY COUPIER	6
AIR INTERLOCK VALVE	7
VAPOR RECOVERY ADAPTOR	7
HIGH-FLOW VAPOR RECOVERY ADAPTOR	8
VARPOR DUST CAP	8
AIR CONTROL ASSEMBLY	9
API BOTTOM-LOADING COUPLER	10
PRODUCT DELIVERY EIBOWS SH	11
PRODUCT DELIVERY EIBOWS DH	11
CAMLOCK FITTINGS	12
ALUMINUM REDUCER CAM-LOCK FITTING	14
GUILLEMIN COUPLING	16

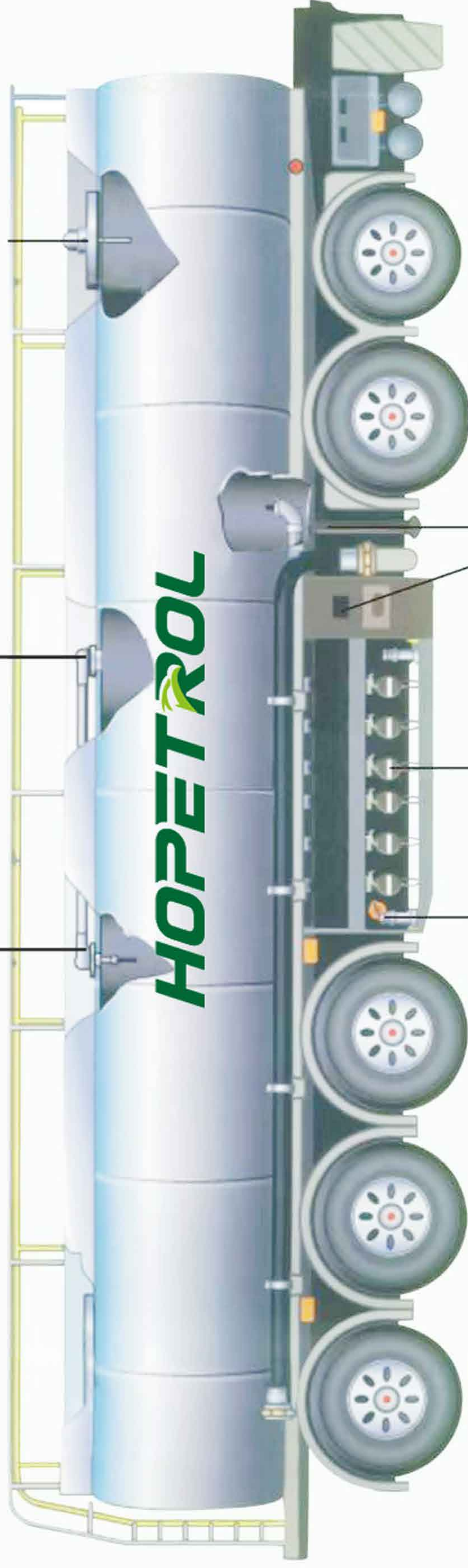
Manhole Cover



Pressure Vacuum Vent



Vapor Vent



Vapor Recovery Valve Series



API Adaptor



Pneumatic Control Series



Emergency Control Series



Emergency Bottom Valve



If you need details, please contact us.

PETROLEUM MANHOLE

Hopetrol offers Petroleum Manhole Assemblies for virtually any petroleum tank truck specification and application; specified by oil companies and transport fleets around the world. Hopetrol petroleum manhole assemblies are available in plated steel and come in standard sizes of 16" and 20". These manholes offer unparalleled operational benefits and safety features meeting DOT 406 requirements.



■ FEATURES AND BENEFITS

- ◆ New and Replacement covers for DOT 406 and MC306 Cargo Tanks; meets HM183 replacement requirements and 178.345-10 venting requirements
- ◆ Designed for Pressure/Vacuum Venting
- ◆ Retrofits to existing weld rings Reversible PAF
- ◆ Buna-N Gaskets Standard-optional materials available
- ◆ 10" (260mm) aluminum vent set to open at not less than 3.63 PSI
- ◆ Security Locking feature
- ◆ Lightweight
- ◆ Low profile design

Part No.	Specification
TRS-PM-OA16	16"Offset 10"PAF Manhole(With Alum.Weld Ring)
TRS-PM-CA16	16"Centered 10"PAF Manhole(With Alum.Weld Ring)
TRS-PM-OA20	20"Offset 10"PAF Manhole(With Alum.Weld Ring)
TRS-PM-CA20	20"Centered10"PAF Manhole(With Alum.Weld Ring)
TRS-PM-OS16	16"Offset 10"PAF Manhole(With Steel Weld Ring)
TRS-PM-CS16	16"Centered 10"PAF Manhole(With Steel Weld Ring)
TRS-PM-OS20	20"Offset 10"PAF Manhole(With Steel Weld Ring)
TRS-PM-CS20	20"Centered10"PAF Manhole(With Steel Weld Ring)
TRS-PM-016	16"Offset 10"PAF Manhole(Without Weld Ring)
TRS-PM-C16	16"Centered 10"PAF Manhole(Without Weld Ring)
TRS-PM-O20	20"Offset 10"PAF Manhole(Without Weld Ring)
TRS-PM-C20	20"Centered10"PAF Manhole(Without Weld Ring)
TRS-AW16	16"Aluminum Weld Ring 3"×1/4"
TRS-AW20	20"Aluminum Weld Ring 3"×1/4"
TRS-SW16	16"Steel Weld Ring 3"×1/4"
TRS-SW20	20"Steel Weld Ring 3"×1/4"

VAPOR VENT

Hopetrol's this series Sequential Vapor Recovery Vents for 16"manholes have improved flow with less pressure drop. They will retrofit all existing 3.5"vapor vents and offers best in class features.



■ **Model number: TRS-VV16**

Vapor Recovery Vent(16"Manhole)

■ **SPECIFICATION**

- ◆ Weight: 1.6 kg
- ◆ Materials: Aluminum, Stainless Steel
- ◆ Temperature: -20°F~250°F(-29°C~121°C)
- ◆ Dimensions: Height Closed-5.59"
Height Open-6.52"
Ride Height-3.70"
Length-8.75"

■ **FEATURES AND BENEFITS**

- ◆ Lightweight aluminum body
- ◆ Valve stroke increased by 50%(1-1/2"total seat opening)
- ◆ Increased spring tension for a quick, light closure
- ◆ Dual fluorosilicon piston o-ring seals and a new lower shaft seal and wiper protects the air system
- ◆ New added external exhaust port for quicker opening and closing of vent's poppet
- ◆ Thread in cap design eliminates snap ring
- ◆ Improved flow rating and less pressure drop
- ◆ Compatible with Ethanol, Methanol, Diesel, Bio diesel and Gasoline products

PRESSURE VACUUM VENT

Hopetrol's Pressure Vacuum Vent Valves make maintenance easier and faster. Pressure vacuum vent valves are designed to withstand the extreme shock, high G forces, excessive surge forces and vibration that can occur during the transport of petroleum products.



■ **Model number: TRS-PVV**

■ **SPECIFICATION**

- ◆ Weight: 1.6 kg
- ◆ Materials: Aluminum, Stainless Steel
- ◆ Temperature: -20°F to 250°F(-29°C to 121°C)
- ◆ Dimensions: Height Closed-5.59"
Height Open-6.52"
Ride Height-3.70"
Length-8.75"

■ **FEATURES AND BENEFITS**

- ◆ Can be installed in existing 10"manlids
- ◆ Lightweight, durable design; No tools required for maintenance or cleaning
- ◆ Dust screen keeps foreign material out of poppets
- ◆ High sensitivity and precise reset of rebound; High safety, no oil leakage in rollover

4"EMERGENCY BOTTOM VALVE

Hopetrol's Bottom Valves are designed for increased safety, durability and service performance.



■ **Model number: TRS-EBV**

■ SPECIFICATION

- ◆ Nominal size: 4" or DN 100
- ◆ Working pressure: 6 bar (600 kPa)
- ◆ Maximum flow rating: 2.500 liter/minute
- ◆ Working temperature: -20°C~70°C
other temperatures on request
- ◆ Weight: 4.6kg

■ FEATURES AND BENEFITS

- ◆ Superior flow rate
- ◆ 4" or DN100 connection
- ◆ Up to 2.500 liters/minute
- ◆ Stainless steel filter/strainer
- ◆ No moving parts in the flow path
- ◆ Sequenced or non-sequenced operation
- ◆ Valve service inside of the compartment
- ◆ Manually openable in case of emergency
- ◆ Hard anodized and stainless steel internals
- ◆ Pressure balanced or non pressure balanced operation
- ◆ Shear groove to prevent spillage in case of an accident
- ◆ Lightweight aluminium alloy casting for improved strength and reduced weight



API ADAPTOR

API Adaptors are crucial to any API bottom loading system, the API Adaptor is precisely engineered and manufactured to match with a standard API coupler. Much attention is focused on the mating surface materials allowing for considerable variations in design. The end result provides users with a wide range of applicable options to match specific needs & situations.



■ Model number: TRS-API-OT

Openable API Adaptor with Aluminum Handle, two-piece design, hard coated nose piece

■ SPECIFICATION

- ◆ Weight: 5.4kg
- ◆ Materials: Aluminum and Stainless Steel
- ◆ Dimensions: Height-12.4" Width-9.88"
- ◆ Temp.Rating: -20°F~250°F(-29°C~121°C)
- ◆ Compatible with diesel, biodiesel, gasoline, ethanol and methanol

■ FEATURES AND BENEFITS

- ◆ TRS-AIV Interlock mount
- ◆ Lightweight with incredible strength
- ◆ Conforms to API 1004 and EN13083
- ◆ Available in openable and non-openable versions
- ◆ Stainless Steel internals for strength and durability
- ◆ Precision manufactured for long dependable operation
- ◆ High flow API Adaptor with flat bottom for reduced product retention
- ◆ All new ergonomically designed lightweight aluminum handle with finger-groove grips comes standard on all API heads



DUST SEAL CAP

Hopetrol's this Series API Dust Caps are designed and tested to take the punishment of the long haul. Requiring just one handed operation, the caps not only seal and hold pressure, but they retain their shape even if dropped or mishandled. The caps are lightweight, corrosion resistant and best of all, they utilize a special, proprietary coating that makes them extremely durable. The black finish will not chip or peel, even under extreme conditions.



■ **Model number: TRS-DSC400**

■ SPECIFICATION

- ◆ Weight: 1.5kg
- ◆ Material: Die-Cast Aluminum
- ◆ Maximum working pressure 3 bar
- ◆ Dimensions: Height-8.041 Width-1.705
- ◆ Temp Rating: -20°F~250°F(-29°C~121°C)

■ FEATURES AND BENEFITS

- ◆ Locking hole for wire security seal
- ◆ Pressure Rated Cap-Secondary Seal
- ◆ 19"plated steel chain for strong securement
- ◆ Lightweight die-cast aluminum construction for maximum strength
- ◆ Extended life and protects poppet face of API head
- ◆ Ease of operation due to radial cam and lug design
- ◆ Durable wide nitrile gasket creates pressure rated positive seal,also available in Viton material
- ◆ Pre-cast hole in cap provided for security seal

GRAVITY COUPIER

The Gravity Coupler optimizes the connection between 4"API Adaptors and 3"Cf 4"hose connections, Ensuring safe and fast unloading. The Gravity Coupler has been designed with an over centre CAM for easy connection.



Model number: TRS-GC-400

Specification: 4"Male Cam&Groove Outlet,Nitrile

Model number: TRS-GC-300

Specification: 3"Male Cam &Groove Outlet,Nitrile

■ SPECIFICATION

- ◆ Weight: 1.8 kg
- ◆ Dimensions: Height-8.04" Width-7.12"
- ◆ Materials: Aluminum and Stainless Steel
- ◆ Temp.Rating: -20°F~250°F(-29°C~121°C)

■ FEATURES AND BENEFITS

- ◆ Enhanced lip design in the 12-o'clock position centers couple with API adaptor for solid connection. Easier to handle and operate
- ◆ Hose connection end angled at 15°downward for improved drainage
- ◆ Available in female coupler &male adaptor configurations
- ◆ Mates with standard 4"API RP-1004 tank truck adaptors
- ◆ Standard with Twin-Kam arms which maintain a more secure seal than standard couplings
- ◆ Standard aluminum body with Buna-N seals

AIR INTERLOCK VALVE

Hopetrol's Air Interlock Valve is the perfect solution for all petroleum transport interlock needs. From drive-off protection APIs and Vapor Adaptors, to interlocking guard bars and cabinet doors, our Air Interlock Valve fits right in. The fit and function remain identical to previous models. Their new durable yet lightweight hard-coat anodized aluminum body, stainless steel internals and hardware deliver extreme durability, extended life and provide superior protection from chemicals and the elements.



■ SPECIFICATION

- ◆ Valve type: 3-way
- ◆ Air connection: 1/4"NPT
- ◆ Air hose: 6mm
- ◆ Weight: 250g

■ FEATURES AND BENEFITS

- ◆ Corrosion resistant nickel-plated aluminum body
- ◆ Main shaft wiper seal will prevent contaminations from entering seal area
- ◆ Stainless steel operating shaft and spring eliminating corrosion
- ◆ Lightweight aluminum end cap
- ◆ Different end cap designs possible to meet specific requirements
- ◆ Electrically continuous
- ◆ Push plate optional

VAPOR RECOVERY ADAPTOR

Our poppeted vapor recovery or non-poppeted vapor recovery adaptors contain the vapors and condensation within the vapor line, minimizing unwanted driver exposure and vapor loss into the atmosphere. The poppet design also ensures that vapor lines are properly connected during unloading.



Model number: TRS-VRA-400

Specification: 4"NPT without Poppet or Sight Glass

Model number: TRS-VRA-400P

Specification: 4"NPT with Poppet &no Sight Glass

Model number: TRS-VRA-T400

Specification: 4"TTMA without Poppet or Sight Glass

■ FEATURES AND BENEFITS

- ◆ Conforms to API RP 1004 and European EN13083 Standards
- ◆ 3"vapor recovery piping on smaller tank trucks is easily accommodated with standard reducers(pipe or flanged).
- ◆ 3"Vapor check poppet
- ◆ 4"Female threads by 4"cam and groove
- ◆ Drilled mounting pad for optional air interlock valve

HIGH-FLOW VAPOR RECOVERY ADAPTOR

Hopetrol's high-flow, low pressure drop popped vapor recovery fitting permits simultaneous multiple compartment loading at +1000GPM without exceeding the pressure rating of the PV vents. The same high-flow design delivers faster unloading, too.



■ **Model number: TRS-HVRA-400**

■ SPECIFICATION

- ◆ Nominal size: 4" or DIN100
- ◆ Flange: 4" TTMA
- ◆ Working temp: -20°F to 250°F (-29°C to 121°C) other temperatures on request
- ◆ Weight: 3.5 Kg

■ FEATURES AND BENEFITS

- ◆ High flow rate/low pressure drop design affords faster loading
- ◆ One sight glass, along with a 3/4" pipe plug, facilitate easy detection and draining of liquids in case of accidental overflow
- ◆ Proper vapor collection -with superior flow characteristics -means vents are less likely to pop open from compartment back pressure. As a result, there's less chance of vapor loss to the atmosphere
- ◆ Drilled mounting pad for optional air interlock valve

VAPOR DUST CAP

Model number: TRS-VDC400

This lockable pull-out vapor dust cap fits all 4" Vapor Recovery Adaptors



AIR CONTROL ASSEMBLY

Take control of your tank trailer air system operations with our air control panels. These lighter controls feature a modular design that reduces weight and complexity. Yet still makes it ready to handle your heavy duty Petroleum Operation day in and day out. The Air Panel Assembly will provide fail safe control of all essential components during loading and unloading operations of truck mounted tanks and tank trailers.

■ **Model number: TRS-ACA**

■ **FEATURES AND BENEFITS**

- ◆ Built in cargo tank safety
- ◆ Modular(Stackable)3-2 Ported Valve Block
- ◆ Aluminum Knob spaced for gloved operation
- ◆ Positive air reset/shutdown feature ensures no valve is left open after shutting down the master valve
- ◆ High air flow in a small package ensures quick opening and fast shutdown
- ◆ Maximum pressure 150 PSI
- ◆ Individual compartment lockout when used in dual manifold operations
- ◆ Controls guard bar operations to "set" trailer brakes when activated
- ◆ Returns all valves to "closed" position when Emergency Shutoff is activated
- ◆ Conveniently mounted on aluminum panel for easy installation



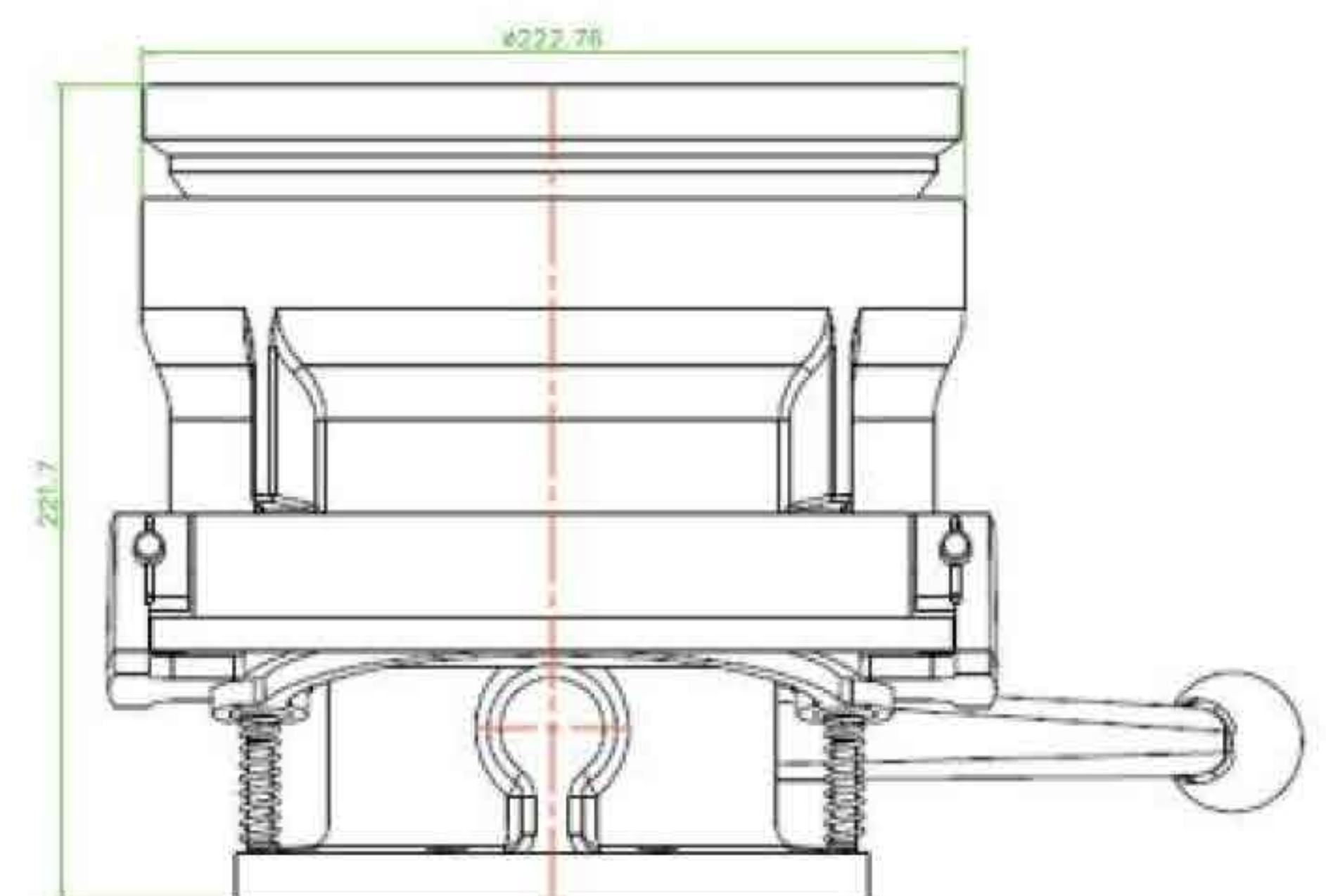
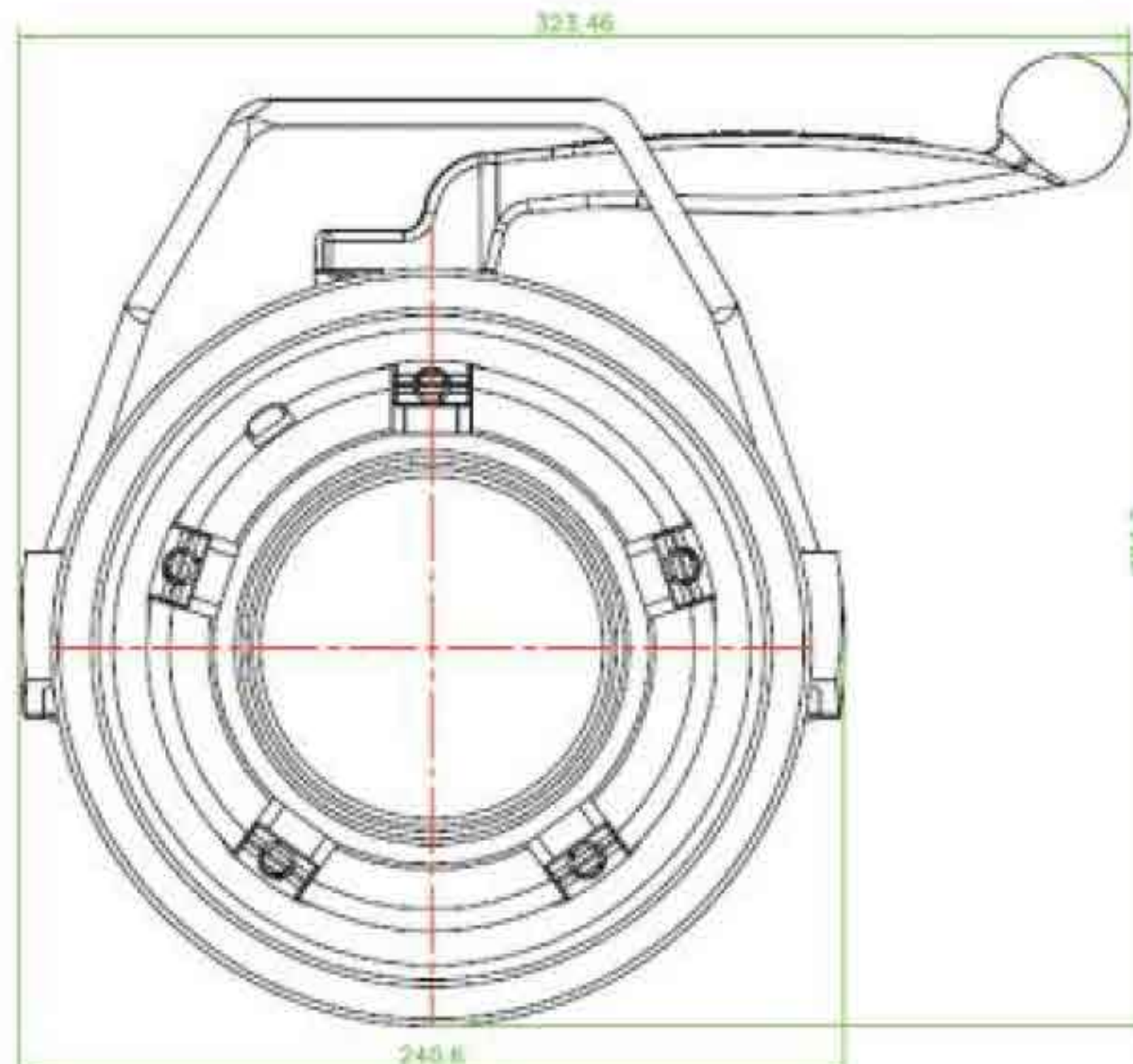
API BOTTOM-LOADING COUPLER

The Bottom-Loading Coupler is optimized to bring your liquid terminals and tank trucks the very best in dry-break API technology. From its ultra-durable stainless-steel collar to its ability to protect your loading- arm connection even when facing surge pressures up to 500 psi, you can count on Hopetrol for years of service and to help minimize fluid loss.

■ Model number: TRS-BLC

■ SPECIFICATION

- ◆ Handle Length: Short 5.9"(150mm) or Long 7.8"(200mm)
- ◆ Max Working Pressure: 80psi (5.5bar)(550 kPa.)
- ◆ Product Test Pressure: 119psi(8.2bar)(820 kPa.)
- ◆ Design Pressure: 363psi(25bar)(2500 kPa.)
- ◆ Max Surge Pressure: 493psi(34bar)(3400 kPa.)
- ◆ Operating Temperature: -20°F to 250°F(-29°C to 121°C)
- ◆ Dismantling: Removal of one U-pin enables the shaft assembly and main poppet to be withdrawn
- ◆ Mounting: By industry standard 4"(100mm) TTMA Flange, 8 holes Ø7/16" on 5.8" PCD, 6.6" outside diameter, (Ø11mm on 149mm PCD, 168mm OD)
- ◆ Use spring washers when mounting coupler as per common industry practice
- ◆ Weight: 8.5kg



■ FEATURES AND BENEFITS

- ◆ 5-Year Warranty
- ◆ Fast in-field replacement of the main seals, on or off the arm
- ◆ Quick and easy disassembly of entire coupler through U-pin design
- ◆ Automatic latching
- ◆ U-pin is secured when the TTMA flange is fastened to prevent the pin from coming out during service
- ◆ A variety of seals available to suit a range of applications
- ◆ Two operating handle sizes to suit customer preference
- ◆ Four "true-interlocking" stainless-steel latches ensure secure coupling and maximum safety
- ◆ High-quality components including a stainless-steel collar and hard anodized aluminum body for increased service durability and life
- ◆ Nominal product leakage during disconnect increases site safety
- ◆ Low risk of leakage because of a proven seal design
- ◆ Ergonomic operating handle and carry loop results in less physical strain on users

PRODUCT DELIVERY ELBOWS SH

Dual Point Systems offer separate delivery and vapor recovery providing higher efficiency and faster product delivery.

■ FEATURES AND BENEFITS

- ◆ Easy to operate
- ◆ Two-piece heavy duty aluminium alloy construction
- ◆ Flange pattern with variety of different inlets to meet any requirements



Size: 3"
4" **Part No.:** AF300
AF400



Size: 3"
4" **Part No.:** AF300
AF400



Size: 3"
4" **Part No.:** AF300
AF400



Size: 3"
4" **Part No.:** AF300
AF400

Optional oil inlet (outlet)connector can be replaced according to customer's requirements.

PRODUCT DELIVERY ELBOWS DH

Hopetrol's product delivery elbows allow for quick and safe product transfer. Spring loaded levers allow the elbows to snap on securely to an side seal tight fill adaptor with minimal pressure.




■ SPECIFICATION

- ◆ IMounting: Hand mounted push &click with quick release levers.
- ◆ Materials: Body-Aluminium
Seal-Viton
Levers-Stainless Steel
Sight glass-Acrylic
- ◆ Weight: 3.9kg.
- ◆ Size: 3"×4"and 4"×4"

■ FEATURES AND BENEFITS

- ◆ Spill free delivery during discharge of tank trucks.
- ◆ Ergonomic design for added operator safety.
- ◆ Easy connection and disconnection.
- ◆ Quick release design.
- ◆ Connection at the top inlet is via standard camlock.
- ◆ Spring loaded levers that snap onto adaptors with minimal pressure.



CAMLOCK FITTINGS

Type-A	Size	Part No.	Material
 <p>Male Adaptor-Female Thread</p>	1/2"	HP-A050	AL/SS/BR
	3/4"	HP-A075	
	1"	HP-A100	
	1-1/4"	HP-A125	
	1/3"	HP-A150	
	3/5"	HP-A200	
	2"	HP-A250	
	1-1/5"	HP-A300	
	1/4"	HP-A400	
	3/6"	HP-A500	
	3"	HP-A600	
	1-1/6"	HP-A800	
	Type-B	Size	
 <p>Female Coupler-Male Thread</p>	1/2"	HP-B050	AL/SS/BR
	3/4"	HP-B075	
	1"	HP-B100	
	1-1/4"	HP-B125	
	1-1/2"	HP-B150	
	2"	HP-B200	
	2-1/2"	HP-B250	
	3"	HP-B300	
	4"	HP-B400	
	5"	HP-B500	
	6"	HP-B600	
	8"	HP-B800	
	Type-C	Size	
 <p>Female Coupler-Hose Shank</p>	1/2"	HP-C050	AL/SS/BR
	3/4"	HP-C075	
	1"	HP-C100	
	1-1/4"	HP-C125	
	1-1/2"	HP-C150	
	2"	HP-C200	
	2-1/2"	HP-C250	
	3"	HP-C300	
	4"	HP-C400	
	5"	HP-C500	
	6"	HP-C600	
	8"	HP-C800	

Type-D	Size	Part No.	Material
 <p>Female Coupler-Female Thread</p>	1/2"	HP-D050	AL/SS/BR
	3/4"	HP-D075	
	1"	HP-D100	
	1-1/4"	HP-D125	
	1-1/2"	HP-D150	
	2"	HP-D200	
	2-1/2"	HP-D250	
	3"	HP-D300	
	4"	HP-D400	
	5"	HP-D500	
	6"	HP-D600	
	8"	HP-D800	
Type-E	Size	Part No.	Material
 <p>Male Adaptor-Hose Shank</p>	1/2"	HP-E050	AL/SS/BR
	3/4"	HP-E075	
	1"	HP-E100	
	1-1/4"	HP-E125	
	1-1/2"	HP-E150	
	2"	HP-E200	
	2-1/2"	HP-E250	
	3"	HP-E300	
	4"	HP-E400	
	5"	HP-E500	
	6"	HP-E600	
	8"	HP-E800	
Type-F	Size	Part No.	Material
 <p>Male Adaptor-Male Thread</p>	1/2"	HP-F050	AL/SS/BR
	3/4"	HP-F075	
	1"	HP-F100	
	1-1/4"	HP-F125	
	1-1/2"	HP-F150	
	2"	HP-F200	
	2-1/2"	HP-F250	
	3"	HP-F300	
	4"	HP-F400	
	5"	HP-F500	
	6"	HP-F600	
	8"	HP-F800	


Type-DC	Size	Part No.	Material
 <p>DUST CAP</p>	1/2"	HP-DC050	AL/SS/BR
	3/4"	HP-DC075	
	1"	HP-DC100	
	1-1/4"	HP-DC125	
	1-1/2"	HP-DC150	
	2"	HP-DC200	
	2-1/2"	HP-DC250	
	3"	HP-DC300	
	4"	HP-DC400	
	5"	HP-DC500	
	6"	HP-DC600	
	8"	HP-DC800	
Type-DP	Size	Part No.	Material
 <p>DUST PLUG</p>	1/2"	HP-DP050	AL/SS/BR
	3/4"	HP-DP075	
	1"	HP-DP100	
	1-1/4"	HP-DP125	
	1-1/2"	HP-DP150	
	2"	HP-DP200	
	2-1/2"	HP-DP250	
	3"	HP-DP300	
	4"	HP-DP400	
	5"	HP-DP500	
	6"	HP-DP600	
	8"	HP-DP800	


ALUMINUM REDUCER CAM-LOCK FITTING


Type-AR	Size	Part No.	Type-FR	Size	Part No.
 <p>Male Adapter Female Thread</p>	1-1/2"×2"	HP-AR1520-AL	 <p>Male Adapter Male Thread</p>	1-1/2"×2"	HP-FR1520-AL
	2"×1-1/2"	HP-AR2015-AL		2"×1-1/2"	HP-FR2015-AL
	2"×3"	HP-AR2030-AL		2"×3"	HP-FR2030-AL
	3"×2"	HP-AR3020-AL		3"×2"	HP-FR3020-AL
	3"×2.5"	HP-AR3025-AL		3"×2-1/2"	HP-FR3025-AL
	3"×3"	HP-AR3030-AL		3"×4"	HP-FR3040-AL
	3"×4"	HP-AR3040-AL		4"×3"	HP-FR4030-AL
	4"×3"	HP-AR4030-AL			


Type-ER	Size	Part No.	Type-DR	Size	Part No.	
 <p>Male Adapter Hose Shank</p>	2"*1"	HP-ER2010-AL	 <p>Female Coupler Female Thread</p>	1-1/2"*1"	HP-DR1510-AL	
	2"*1-1/2"	HP-ER2015-AL		2"*1-1/2"	HP-DR2015-AL	
	2"*3"	HP-ER2030-AL		3"*2"	HP-DR3020-AL	
	2-1/2"*2"	HP-ER2520-AL		4"*2"	HP-DR4020-AL	
	3"*2"	HP-ER3020-AL		4"*3"	HP-DR4030-AL	
	3"*2-1/2"	HP-ER3025-AL				
	3"*4"	HP-ER3040-AL				
	4"*2"	HP-ER4020-AL				
	4"*3"	HP-ER4030-AL				
Type-AA	Size	Part No.	Type-DA	Size	Part No.	
 <p>Male Adapter Male Adapter</p>	1"	HP-AA100-AL	 <p>Male Adapter Male Thread</p>	1-1/2"*1"	HP-DA1510-AL	
	1-1/4"	HP-AA125-AL		2"*1-1/2"	HP-DA2015-AL	
	1-1/2"	HP-AA150-AL		2"*3"	HP-DA2030-AL	
	2"*1-1/2"	HP-AA2015-AL		2"*4"	HP-DA2040-AL	
	2"	HP-AA200-AL		2-1/2"*2"	HP-DA2520-AL	
	2"*2-1/2"	HP-AA2025-AL		3"*2"	HP-DA3020-AL	
	2"*3"	HP-AA2030-AL		3"*2"-1/2"	HP-DA3025-AL	
	2"*4"	HP-AA2040-AL		3"*4"	HP-DA3040-AL	
	2-1/2"	HP-AA250-AL		4"*2"	HP-DA4020-AL	
	3"	HP-AA300-AL		4"*2-1/2"	HP-DA4025-AL	
	3"*2-1/2"	HP-AA3025-AL		4"*3"	HP-DA4030-AL	
	3"*4"	HP-AA3040-AL		4"*6"	HP-DA4060-AL	
	4"	HP-AA400-AL		6"*3"	HP-DA6030-AL	
	4"*6"	HP-AA4060-AL		6"*4"	HP-DA6040-AL	
	6"	HP-AA600-AL		6"*5"	HP-DA6050-AL	
	6"*5"	HP-AA6050-AL				
	Type-C	Size		Part No.	Type-B	Size
 <p>Female Coupler Hose Shank</p>	2"*1"	HP-CR2010-AL	 <p>Female Coupler Male Thread</p>	1-1/2"*1"	HP-BR1510-AL	
	2"*1-1/4"	HP-CR20125-AL		2"*1-1/2"	HP-BR2015-AL	
	2"*1-1/2"	HP-CR2015-AL		3"*2"	HP-BR3020-AL	
	2-1/2"*2"	HP-CR2520-AL		3"*4"	HP-BR3040-AL	
	3"*2"	HP-CR3020-AL		4"*3"	HP-BR4030-AL	
	3"*2-1/2"	HP-CR3025-AL				
	3"*4"	HP-CR3040-AL				
	4"*3"	HP-CR4030-AL				
Type-DCI	Size	Part No.	Type-DD	Size	Part No.	
 <p>With " I " type handle</p>	1"	HP-DCI100-AL	 <p>Female Coupler Female Coupler</p>	1-1/2"*1-1/2"	HP-DD1515-AL	
	1.5"	HP-DCI150-AL		2"*2"	HP-DD2020-AL	
	2"	HP-DCI200-AL		2"*3"	HP-DD2030-AL	
	3"	HP-DCI300-AL		3"*2"	HP-DD3020-AL	
	4"	HP-DCI400-AL		3"*2-1/2"	HP-DD3025-AL	
	6"	HP-DCI600-AL		3"*3"	HP-DD3030-AL	
Type-API	Size	Part No.			3"*4"	HP-DD3040-AL
 <p>With " I " type handle</p>	6"*2-1/2"	HP-API 6025		4"*4"	HP-DD4040-AL	
	6"*3"	HP-API 6030		6"*5"	HP-DD6050-AL	
	6"*4"	HP-API 6040		6"*6"	HP-DD6060-AL	
					8"*6"	HP-DD8060-AL

GUILLEMIN COUPLING

Type-GUL	DN	Size	Part No.	A shank ID (mm)	B shank OD (mm)	C shank Length (mm)	D length (mm)
 Hose Shank	40	1-1/2"	HP-GUL4040-AL	32	39	35	101
			HP-GUL4040L-AL	32	39	45	110.5
			HP-GUL4045-AL	37	44.5	42	97
	50	2"	HP-GUL5050-AL	41	49.5	36.5	113
			HP-GUL5050L-AL	45	50	50	126
			HP-GUL5055-AL	47	54	56	123
	65	2-1/2"	HP-GUL6565-AL	56.5	64.5	55	132
			HP-GUL6570-AL	62.5	69	55	121
	80	3"	HP-GUL8076-AL	68	75.5	70	160
			HP-GUL8076L-AL	68.5	75.5	70	160
			HP-GUL8080-AL	72	80	70	160
			HP-GUL8090-AL	81.5	89	65	143
			HP-GUL8090L-AL	81.5	89	80	157
	100	4"	HP-GUL100100-AL	91.5	99	65	162
			HP-GUL100100L-AL	91.5	100	89	189
			HP-GUL100105-AL	95	105	89	186
HP-GUL100110-AL			101	109.5	89	172	

Type-GULR	DN	Size	Part No. for AL	Part No. for SS316	Part No. for SS304	Material
 Reducing Coupling	50*40	2"*1-1/2"	HP-GULR5040-AL	HP-GULR5040-SS316	HP-GULR5040-SS304	AL/SS (SS316 or SS304 for option)
	65*40	2-1/2"*1-1/2"	HP-GULR6540-AL	HP-GULR6540-SS316	HP-GULR6540-SS304	
	65*50	2-1/2"*2"	HP-GULR6550-AL	HP-GULR6550-SS316	HP-GULR6550-SS304	
	80*40	3"*1-1/2"	HP-GULR8040-AL	HP-GULR8040-SS316	HP-GULR8040-SS304	
	80*50	3"*2"	HP-GULR8050-AL	HP-GULR8050-SS316	HP-GULR8050-SS304	
	80*65	3"*2-1/2"	HP-GULR8065-AL	HP-GULR8065-SS316	HP-GULR8065-SS304	
	100*40	4"*1-1/2"	HP-GULR10040-AL	HP-GULR10040-SS316	HP-GULR10040-SS304	
	100*50	4"*2"	HP-GULR10050-AL	HP-GULR10050-SS316	HP-GULR10050-SS304	
	100*65	4"*2-1/2"	HP-GULR10065-AL	HP-GULR10065-SS316	HP-GULR10065-SS304	
	100*80	4"*3"	HP-GULR10080-AL	HP-GULR10080-SS316	HP-GULR10080-SS304	

Type-GULHF	DN	Size	Part No.	Material
 Helical Hose Shank (with aluminum ferrule)	40	1-1/2"	HP-GULHF40-AL	AL
	50	2"	HP-GULHF50-AL	
	65	2-1/2"	HP-GULHF65-AL	
	80	3"	HP-GULHF80-AL	
	100	4"	HP-GULHF100-AL	
Type-GULCP	DN	Size	Part No.	Material
 Cap(with chain)	40	1-1/2"	HP-GULCP40-AL	AL
	50	2"	HP-GULCP50-AL	
	65	2-1/2"	HP-GULCP65-AL	
	80	3"	HP-GULCP80-AL	
	100	4"	HP-GULCP100-AL	

Type-GULPG	DN	Size	Part No.	Material
 Choke Plug(with chain)	80	3"	HP-GULPG80-AL	AL

Type-GULCP	DN	Size	Part No. for SS316	Part No. for SS304	Material
 Cap(with chain)	40	1-1/2"	HP-GULCP40-SS316	HP-GULCP40-SS304	SS (SS316 or SS304 for option)
	50	2"	HP-GULCP50-SS316	HP-GULCP50-SS304	
	65	2-1/2"	HP-GULCP65-SS316	HP-GULCP65-SS304	
	80	3"	HP-GULCP80-SS316	HP-GULCP80-SS304	
	100	4"	HP-GULCP100-SS316	HP-GULCP100-SS304	

Type-GULH	DN	Size	Part No.	Material	Type-GULH	DN	Size	Part No.for SS316	Part No.for SS304	Material
 Helical Hose Shank	40	1-1/2"	HP-GULH40-AL	AL	 Helical Hose Shank	40	1-1/2"	HP-GULH40-SS316	HP-GULH40-SS304	SS (SS316 or SS304 for option)
	50	2"	HP-GULH50-AL			50	2"	HP-GULH50-SS316	HP-GULH50-SS304	
	65	2-1/2"	HP-GULH65-AL			65	2-1/2"	HP-GULH65-SS316	HP-GULH65-SS304	
	80	3"	HP-GULH80-AL			80	3"	HP-GULH80-SS316	HP-GULH80-SS304	
	100	4"	HP-GULH100-AL			100	4"	HP-GULH100-SS316	HP-GULH100-SS304	
Type-GULHM	DN	Size	Part No.	Material	Type-GULHM	DN	Size	Part No.for SS316	Part No.for SS304	Material
 Male Helical Hose Shank	40	1-1/2"	HP-GULHM40-AL	AL	 Male Helical Hose Shank	40	1-1/2"	HP-GULHM40-SS316	HP-GULHM40-SS304	SS (SS316 or SS304 for option)
	50	2"	HP-GULHM50-AL			50	2"	HP-GULHM50-SS316	HP-GULHM50-SS304	
	65	2-1/2"	HP-GULHM65-AL			65	2-1/2"	HP-GULHM65-SS316	HP-GULHM65-SS304	
	80	3"	HP-GULHM80-AL			80	3"	HP-GULHM80-SS316	HP-GULHM80-SS304	
	100	4"	HP-GULHM100-AL			100	4"	HP-GULHM100-SS316	HP-GULHM100-SS304	
Type-GULFNL	DN	Size	Part No.	Material	Type-GULFNL	DN	Size	Part No.for SS316	Part No.for SS304	Material
 Female W/O Latch	40	1-1/2"	HP-GULFNL40-AL	AL	 Female W/O Latch	40	1-1/2"	HP-GULFNL40-SS316	HP-GULFNL40-SS304	SS (SS316 or SS304 for option)
	50	2"	HP-GULFNL50-AL			50	2"	HP-GULFNL50-SS316	HP-GULFNL50-SS304	
	65	2-1/2"	HP-GULFNL65-AL			65	2-1/2"	HP-GULFNL65-SS316	HP-GULFNL65-SS304	
	80	3"	HP-GULFNL80-AL			80	3"	HP-GULFNL80-SS316	HP-GULFNL80-SS304	
	100	4"	HP-GULFNL100-AL			100	4"	HP-GULFNL100-SS316	HP-GULFNL100-SS304	
Type-GULFL	DN	Size	Part No.	Material	Type-GULFL	DN	Size	Part No.for SS316	Part No.for SS304	Material
 Female with Latch	40	1-1/2"	HP-GULFL40-AL	AL	 Female with Latch	40	1-1/2"	HP-GULFL40-SS316	HP-GULFL40-SS304	SS (SS316 or SS304 for option)
	50	2"	HP-GULFL50-AL			50	2"	HP-GULFL50-SS316	HP-GULFL50-SS304	
	65	2-1/2"	HP-GULFL65-AL			65	2-1/2"	HP-GULFL65-SS316	HP-GULFL65-SS304	
	80	3"	HP-GULFL80-AL			80	3"	HP-GULFL80-SS316	HP-GULFL80-SS304	
	100	4"	HP-GULFL100-AL			100	4"	HP-GULFL100-SS316	HP-GULFL100-SS304	
Type-GULMNL	DN	Size	Part No.	Material	Type-GULMNL	DN	Size	Part No.for SS316	Part No.for SS304	Material
 Male W/O Latch	40	1-1/2"	HP-GULMNL40-AL	AL	 Male W/O Latch	40	1-1/2"	HP-GULMNL40-SS316	HP-GULMNL40-SS304	SS (SS316 or SS304 for option)
	50	2"	HP-GULMNL50-AL			50	2"	HP-GULMNL50-SS316	HP-GULMNL50-SS304	
	65	2-1/2"	HP-GULMNL65-AL			65	2-1/2"	HP-GULMNL65-SS316	HP-GULMNL65-SS304	
	80	3"	HP-GULMNL80-AL			80	3"	HP-GULMNL80-SS316	HP-GULMNL80-SS304	
	100	4"	HP-GULMNL100-AL			100	4"	HP-GULMNL100-SS316	HP-GULMNL100-SS304	
Type-GULML	DN	Size	Part No.	Material	Type-GULML	DN	Size	Part No.for SS316	Part No.for SS304	Material
 Male with Latch	40	1-1/2"	HP-GULML40-AL	AL	 Male with Latch	40	1-1/2"	HP-GULML40-SS316	HP-GULML40-SS304	SS (SS316 or SS304 for option)
	50	2"	HP-GULML50-AL			50	2"	HP-GULML50-SS316	HP-GULML50-SS304	
	65	2-1/2"	HP-GULML65-AL			65	2-1/2"	HP-GULML65-SS316	HP-GULML65-SS304	
	80	3"	HP-GULML80-AL			80	3"	HP-GULML80-SS316	HP-GULML80-SS304	
	100	4"	HP-GULML100-AL			100	4"	HP-GULML100-SS316	HP-GULML100-SS304	



▼ **THE SUITABLE IS THE BEST**



Gas Station
Accessories



Technical
Consultation



Environmental
Protection Equipment



Supply Chain
Services

(0086)2037362468

<http://www.hopetrol.com>

Room915, No.1138 zhongshan Avenue West,
TianheDistrict, Guangzhou, Guangdong, CHINA